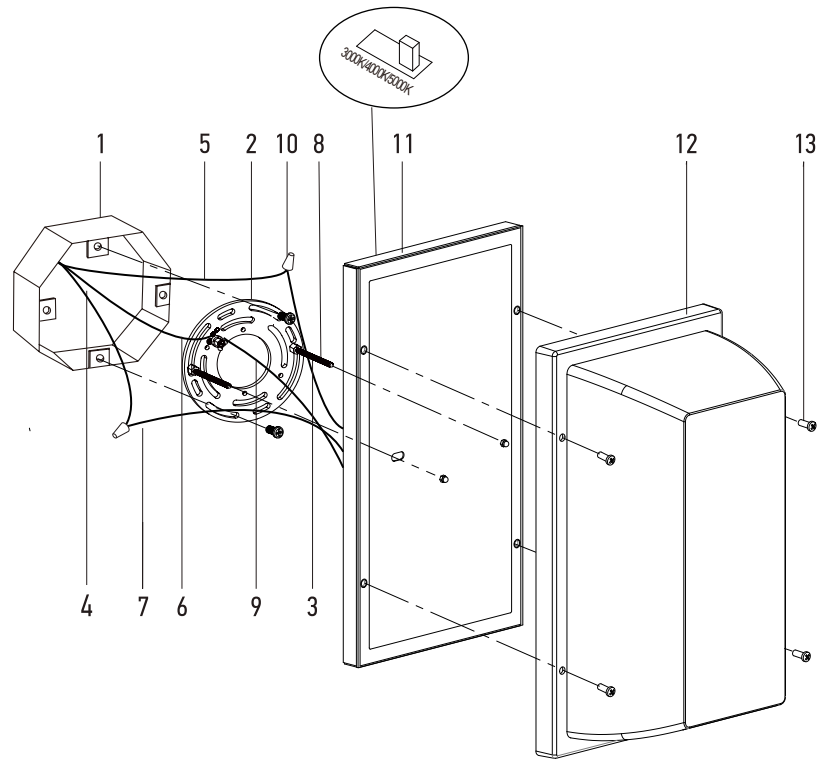


**PLEASE READ THESE INSTRUCTIONS CAREFULLY AND SAVE THEM, AS YOU MAY NEED THEM AT A LATER DATE.**

**WARNING:** Failure to install and wire fixture in accordance with the National Electrical Codes (NEC), all applicable Federal, State and Local electrical codes, as well as Specific U.L. safety standards for the intended working environment (location/ application) may cause serious personal injury, death and/or property damage. This product must be installed by a person familiar with the construction and operation of the product and the hazards involved. Risk of fire and electrical shock. Most dwellings built before 1985 have supply wires rated 60°C. Consult a qualified electrician before installing. If supply wires are located within 3 inches to the ballast use wires rated at least 90°C.

**CAUTION: TURN OFF POWER FROM THE MAIN CIRCUIT BEFORE INSTALLING FIXTURE.** Make sure fixture is grounded per National Electrical Codes (NEC). These fixtures are intended to be mounted to a metal outlet box. The box must be directly supported by the building structure. This fixture is suitable for damp locations.



## ASSEMBLY INSTRUCTIONS

1. Carefully remove the lens (12).
2. Pull the supply wires and the ground wire from the outlet box (1) and install Mounting bracket (2) to outlet box (1) , so the two fixture screws are horizontal to the ground.
3. Connect the power supply wires to the fixture lead wires by wire nuts(10), connecting the black fixture wire (7) to the black supply wire (4) , the white fixture wire(8) to the white supply wire (5) and fixture ground wire (9) to the supply ground wire (6). Secure the connection with wire nuts (10).
4. Carefully tuck all wiring back into the outlet box(1). Put the fixture back plate(11) to mounting surface allowing for mounting screws(3) to protrude through key slots and tighten securely with two decorative nuts(14).
5. The color temperature adjustment is shown in the figure.
6. Carefully attach the lens(12) to the fixture back plate(11) by four screws(13).
7. Turn on power at the circuit breaker. Turn light switch on to operate this fixture. This LED light fixture has no LED bulb to replace.